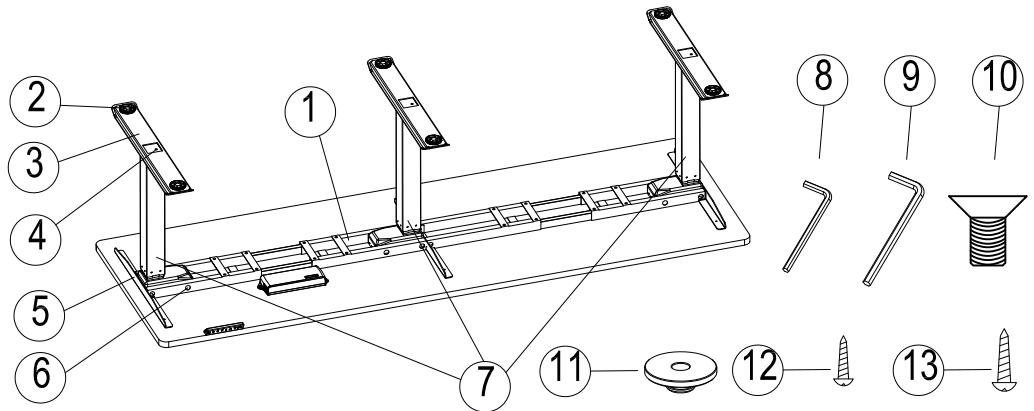


Assembly Instructions

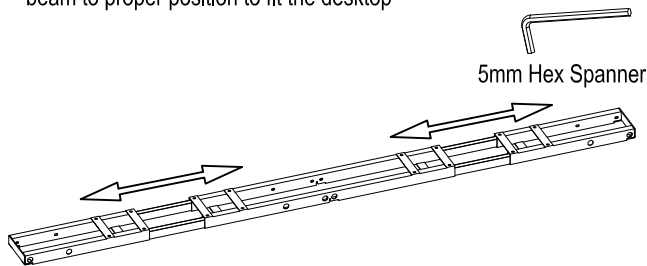
RLS-3MD-180-90T

Parts and Tools list

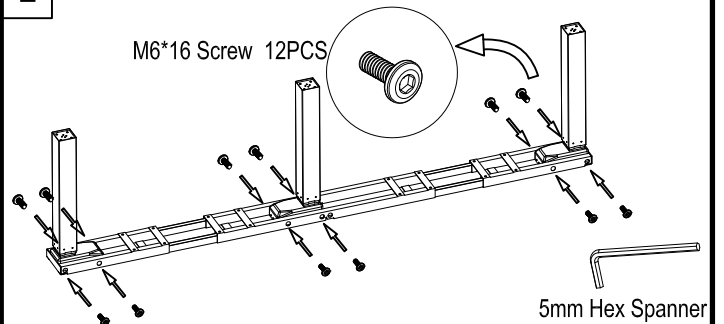
NO.	Name	Qty
1	Support Beam	1
2	Foot Pad	6
3	Foot Margin	3
4	M8*16 Screw	12
5	Bracket	3
6	M6*16 Screw	14
7	Lifting System	1set
8	4mm Hex Spanner	1
9	5mm Hex Spanner	1
10	M6*12 Screw	4
11	Rubber Cushion	10
12	ST3.5*19 Screw	2
13	ST4.8*19 Screw	12



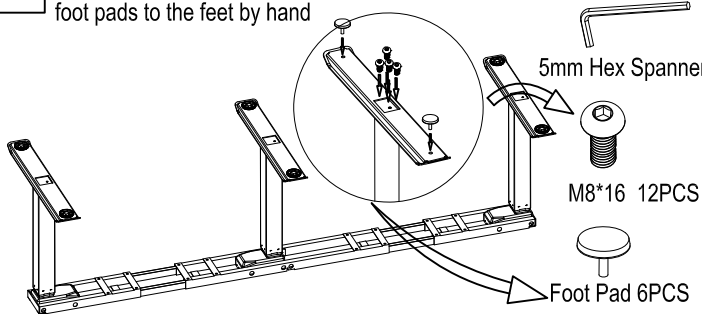
- 1** Loosen the 16 screws of beam using 5MM hex spanner, adjust beam to proper position to fit the desktop



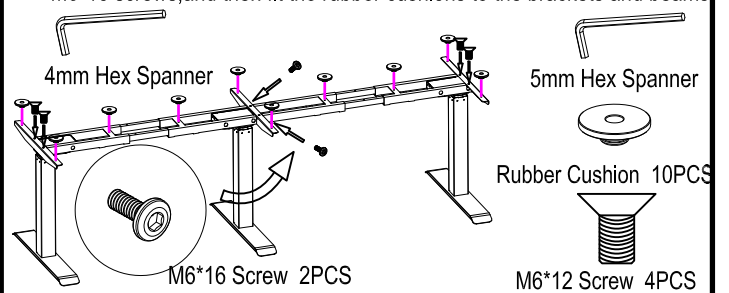
- 2** Attach legs to the beam using 12 of M6*16 screws



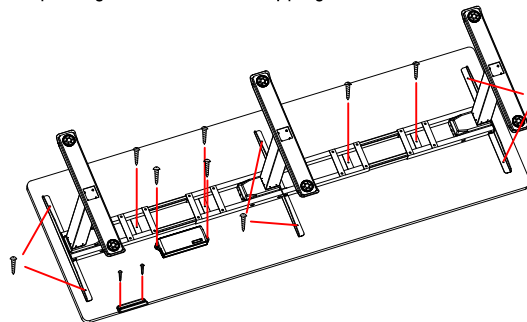
- 3** Attach feet to the legs using 12 of M8*16 screws, attach the 6 of levelling foot pads to the feet by hand



- 4** Overturn frame and attach brackets to beam using 4 of M6*12 and 2 of M6*16 screws, and then fit the rubber cushions to the brackets and beams



- 5** Attach the control box to the underside of the desktop using 12 of ST4.8 self-tapping screws, attach handset to the underside of desktop using 2 of ST3.5 self-tapping screw.



- 6** Connect the control box to the handset and to the motor

